

DW Brushless Pump Controller (C102, C103, C105)



The DW Brushless Pump Controller is included with the DW440 and DW650iL fuel pump kits. This controller accepts an 8-22v DC input and creates a digital signal to allow efficient and precise speed and torque control of the pump. The controller is available in 3 configurations: C102 (Dual Speed DW440), C103 (PWM controlled), and C105 (Dual Speed 650iL)

- Optimized for use with the DW brushless pumps
- Variable timing for optimized torque and speed
- Designed for compatibility with voltage boosters
- Bulkhead wiring kit included for in-module retrofit
- Digital thermal protection

Specifications

Weight	11.8oz (336g)
External Materials	Anodized T6061
Voltage Input*	8 volts min, 24v max
Max Current	40 amp

*High load switch/trigger suggested for voltages above 18v

- 36" wiring harness with flexible high temp silicone insulation and 12awg power and ground
- Digital thermal protection (105C)
- 4pin high current GM-style bulkhead wiring kit

Controller Options Available

PN: C102 - Dual Speed - 68% duty cycle with 100% duty cycle ground switch

PN: C103 - PWM input accepts any frequency from 20Hz to 200kHz (open 0%, ground 100%). Inquire with DW tech support for information on compatibility with your specific OE or aftermarket fuel pump controller.

PN: C105 - Dual Speed - 55% duty cycle with 100% duty cycle ground switch.

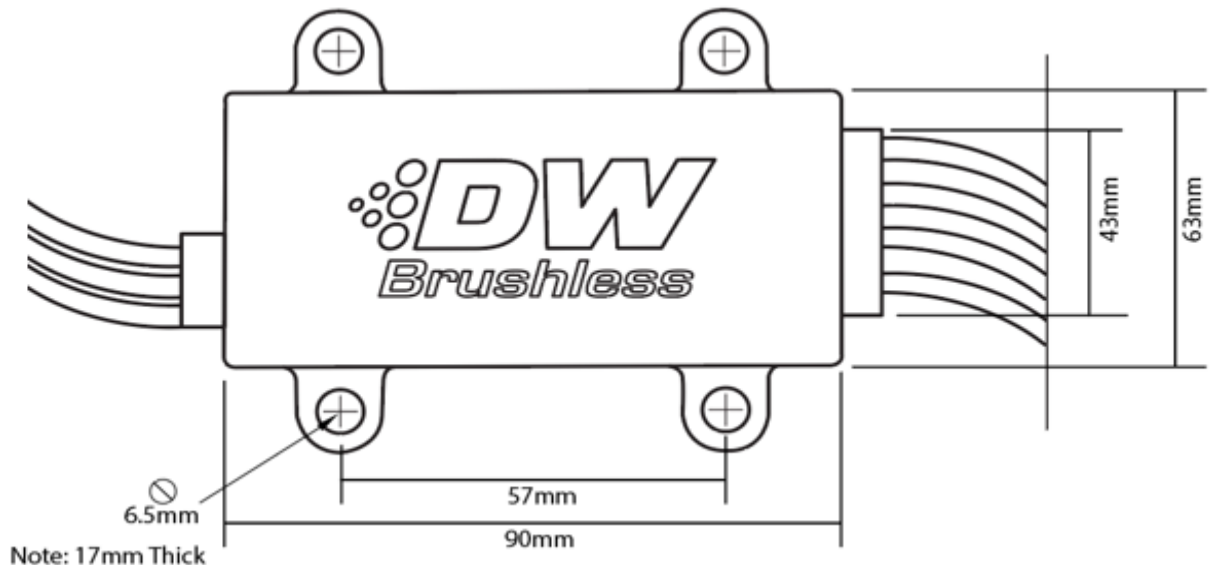
Dimensions

Wiring:

Red: 12V Key On
B+ Power

Black: Chassis
Ground/Earth

White: High Speed
or PWM Input



THIS PRODUCT MAY BE USED SOLELY ON VEHICLES USED IN SANCTIONED COMPETITION WHICH MAY NEVER BE USED UPON A PUBLIC ROAD OR HIGHWAY, UNLESS PERMITTED BY SPECIFIC REGULATORY EXEMPTION

DeatschWerks, LLC 405-217-0701 techsupport@deatschwerks.com REV 01-03-22